

Quick-Start Guide for the Kenwood TM-D710GA at Medstar Montgomery Hospital

Version 5
5/19/2025



Figure 1

EQUIPMENT SETUP

At Medstar Montgomery Medical Center, the TM-D710 TX/RX Units are permanently mounted in a wall cabinet with a power supply and Signalink USB interface unit. The radio operation panels (often called control heads) are permanently mounted to a hutch at the operating position and prewired to the TX/RX units. The Signalink is connected to Radio 1, the unit on the left in the photo.

A MikroTik router at the operating position (hidden behind the laptop in the photo) provides access to the MAIPN broadband network via a microwave dish on the roof of the hospital. The router has a built-in wi-fi access point as well as a 10-port ethernet switch. The phone on the left is a VoIP telephone connected to the MAIPN VoIP PBX. The phone on the right is an extension on the hospital's internal telephone system. A complete description of the MAIPN network is outside the scope of this document.

To operate the station, it is necessary to retrieve the microphones and headset from the wall cabinet, turn on the outlet strip in the cabinet and also the one on the hutch. Check to make sure the antenna cables are connected to the TX/RX units in the cabinet. They should be disconnected when not in use as an additional measure of lightning protection.

Operation panel and microphone connection

Plug the microphone plug into the MIC jack, then connect the operation panel to the TX/ RX unit with the supplied cable.

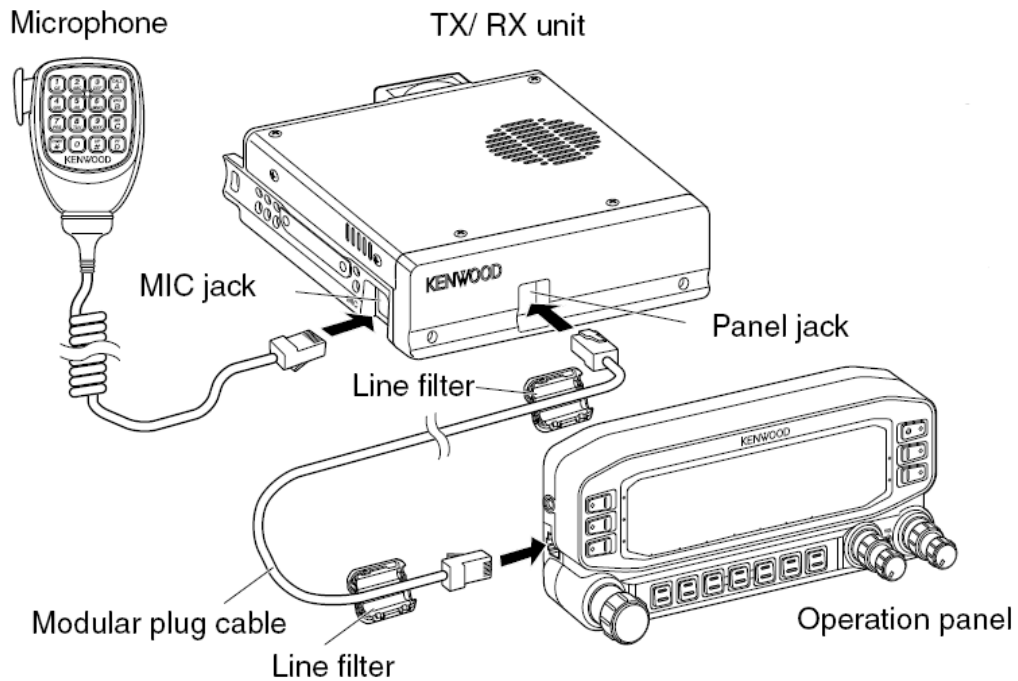


Figure 2

Antenna and speaker connections

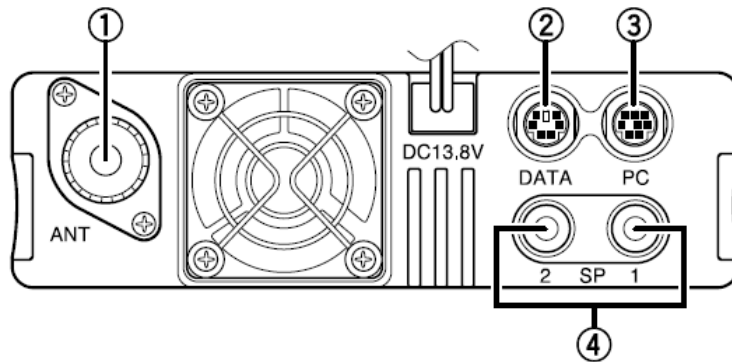


Figure 3

① Antenna connection SO-239

② The DATA port is for connection to an external TNC. It is not used in our setup, but could be used with a Signalink or similar device for sound-card-based data modes. It is a 6-pin DIN connector with the standard pinout used by most major manufacturers.

③ The PC port is used only for programming the radio using a Kenwood PG-5G serial cable or compatible USB programming cable. Use the COM port on the Operation Panel to connect a laptop for packet-based data modes such as Winlink using the radio's built-in TNC. (See following page.)

④ External speaker connections. 3.5 mm mono jacks. A single external speaker (or headphones) plugged into SP 1 mutes the built-in speaker and provides both Band 1 and Band 2 audio on the external speaker.¹ When using stereo headphones, you will hear audio in only one ear, unless you use an adapter. We don't use SP 2 in our setup.

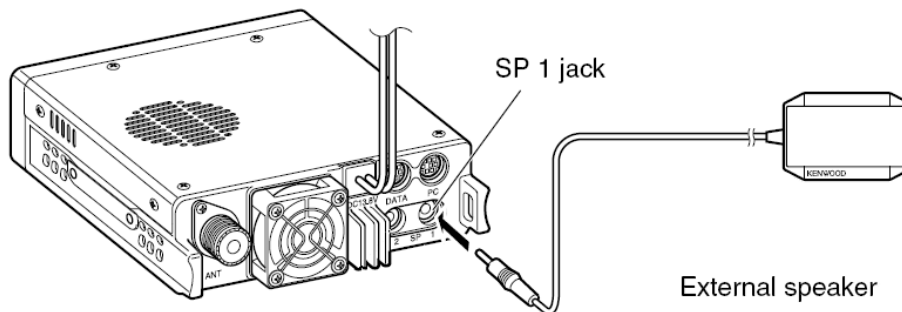


Figure 4

¹ Check Menu Item 002 if both bands are not heard. Menu Item 002 should be set to MODE 1.

Computer connection and operation panel connection

- ① Newer radios in the TM-D710 series have an internal GPS receiver. An external GPS can be connected if the radio is used indoors. We don't use the GPS feature at our hospital stations.
- ② It is possible to use the radio's internal TNC for data communications (e.g., Winlink or APRS). We now recommend using software modems for this purpose, but in the event that it becomes necessary to use the internal modem, you can use the COM terminal on the radio's control head to connect a laptop computer for Winlink operation. A USB cable (technically, it's a USB-to-RS-232 converter) with the correct plug is stored in the equipment rack.
- ③ Connect the TX/RX unit to the operation panel jack using the supplied modular plug cable.

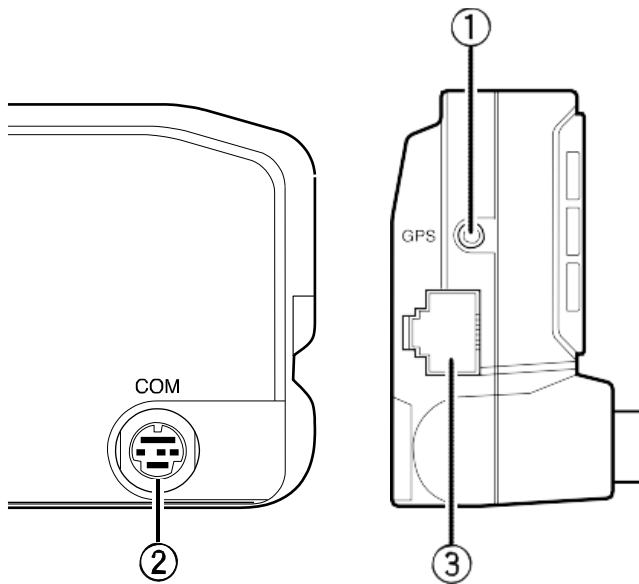


Figure 5

Using a headset with boom microphone

A headset is a very useful accessory when operating in a busy EOC. At each of the hospital stations equipped with TM-D710 radio, we have provided a Yamaha CM-500 headset, footswitch, and junction box for connecting these accessories to the radio. See Figure 6.

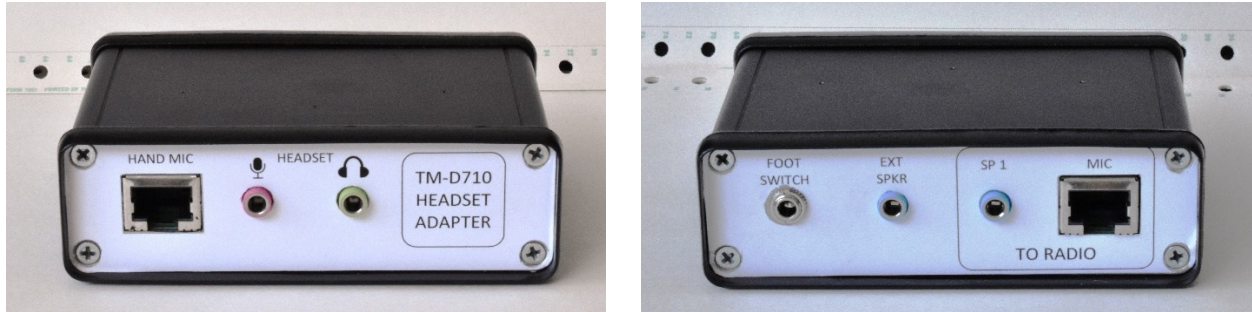


Figure 6

There are three connectors on the front panel of the junction box. From left to right:

- | | |
|-------------|------------------------------------------------------------|
| HAND MIC | Plug the radio's hand microphone in here. |
| HEADSET MIC | Plug the headset's microphone connector in here. |
| HEADSET EAR | Plug the headset's headphone (earpiece) connector in here. |

There are four connectors on the rear panel of the junction box. From left to right:

- | | |
|----------|----------------------------------------------------------------------------------------------------------------------------|
| PTT | Plug the footswitch in here. |
| EXT SPKR | Plug the external speaker in here. |
| SP 1 | Plug a 3.5 mm mono or stereo cable in here and plug the other end into the SP1 jack on the back of the radio's TX/RX Unit. |
| MIC | Plug a CAT-5 or CAT-6 cable in here and plug the other end into the mic jack on the side of the TX/RX Unit. |

Note the toggle switch on the side of the Midland external speaker. With the switch up, received audio is heard in both the speaker and the attached headset. With the switch down, sound is heard only in the headset.

With the junction box in line, the hand microphone works normally (including all of its buttons). When the footswitch is depressed, transmit audio is taken from the headset's microphone rather than the hand microphone, but the PTT button and DTMF keys on the hand microphone remain functional. This enables you, for example, to use the handheld mic to dial an autopatch call while the headset is in use.

BASIC RADIO OPERATIONS

TM-D710 front panel

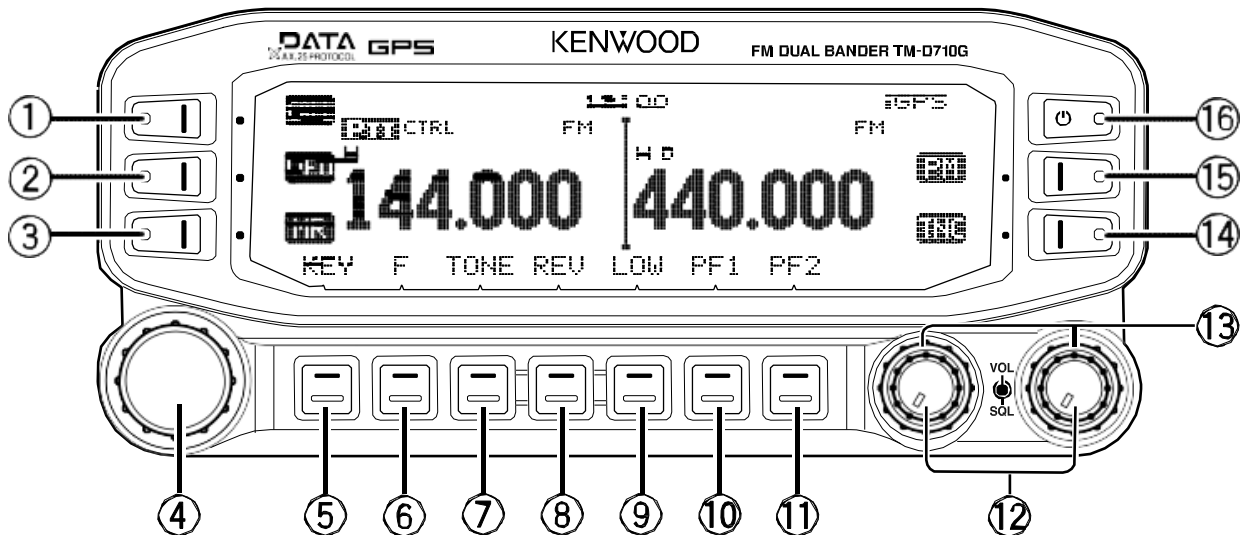


Figure 7

Press the top right button [P] **16** to turn the transceiver power **ON and OFF**.

Rotate the [BAND SEL] **12** to adjust the speaker volume. Press the left [BAND SEL] to select the A band. Press the right [BAND SEL] to select the B band.

Press [BAND SEL] (1s) to toggle between single and dual-band mode.

Rotate the [SQL] control ring **13** to adjust the squelch level. Clockwise tightens the squelch and counterclockwise opens the squelch.

Press [CALL] **1** to select the Call channel.

Press [VFO] **2** to enter VFO mode, then rotate the **Tuning control 4** to select an operating frequency.

Press [MR] **3** to enter Memory Channel mode, then rotate the **Tuning control 4** to select a Memory channel.

Press [F] **6** to enter Function mode. Press [F] (1s) to turn the transceiver key **lock** function ON and OFF.

Press **[TONE]** (7) to turn the Tone function ON. Each time you press **[TONE]**, the function cycles through the following: Tone ON → CTCSS ON → DCS ON → Cross Tone ON → OFF.

Press **[REV]** (8) to turn the Reverse function ON or OFF. Press **[REV]** (1s) to turn the Automatic Simplex Checker ON.

Press **[LOW]** (9) to toggle the transmit output power as follows: Middle Power → Low Power → High Power.

Press **[TNC]** (14) to turn the built-in TNC ON and the APRS (or NAVITRA) mode ON. Each time you press **[TNC]**, the mode toggles as follows:

APRS mode ON → PACKET mode ON → TNC OFF.

- When the built-in TNC turns on, “OPENING TNC” appears on the display.
- When “OPENING TNC” appears on the display, the mode cannot be changed.

Selecting an operating mode

There are 3 operating modes available to choose from: VFO mode **[VFO]**, Memory Channel mode **[MR]**, and Call Channel mode **[CALL]** (see Figure 7). For most operations, the Memory Channels will be programmed with all the frequencies needed to operate.

VFO mode allows you to manually change the operating frequency. Press **[VFO]** to enter VFO mode. Rotate the **Tuning** control to select your desired operating frequency. The radio automatically selects the appropriate repeater shift, in accordance with the ARRL Band Plan, when tuned to a repeater output frequency. A CTCSS Tone can also be set. Once the information is set, it can be moved to a memory channel by pressing **[F]**, selecting a memory channel number, and pressing **[M.IN]**.

Note: Please don't overwrite the existing memory channels. We try to keep these standardized county-wide. If you want to store a frequency in memory, choose an unused channel greater than 100.

Memory Channel mode allows you to quickly select a frequently used frequency and related data which you have saved in the transceiver memory. Press **[MR]** to enter Memory Channel mode. Rotate the **Tuning** control to select your desired Memory channel. Frequencies and associated information must be entered in VFO mode before it can be placed in a memory channel.

When you select a memory channel, the radio chooses the saved frequency, repeater shift, operating mode, transmit power, and tone or digital squelch encode/decode parameters. You can change any of these settings on the fly, but reselecting the same memory a second time will restore the original (saved) settings.

Call Channel mode allows you to quickly select a preset channel to allow immediate calls on that frequency. The Call channel can be conveniently used as an emergency channel within your group. Select your desired band (A or B). The Call channel has a dedicated frequency for both bands A and B. The default frequency for band A is 144 MHz. The default frequency for band B is 430/440 MHz. Press **[CALL]** to enter Call Channel mode. The icon appears on the display. Press **[CALL]** again to return to your previous operating frequency.

Menu mode

Many functions on this transceiver are selected or configured through the Menu instead of physical controls.

1. Press **[F]**, **Tuning** control to access the Menu.
2. Rotate the **Tuning** control to select your desired setup category.
3. Press the **Tuning** control to set the selected category. The Menu name and number appear on the display.
4. Rotate the **Tuning** control to select your desired Menu.
5. Press the **Tuning** control to set the selected Menu.
6. Rotate the **Tuning** control to select your desired value for the selected Menu.
7. Press the **Tuning** control to set the selected value.
8. Repeat steps 2 to 7 to set up additional Menus. Press **[ESC]** at any time to exit Menu mode. Press **[BACK]** at any time to cancel the Menu setup and return to the Menu selection.

Winlink VHF Operation

We recommend using the Vara FM and/or UZ7HO Soundmodem software-based modems for Winlink.

Configure the radio with the following settings. With this configuration, setting, you will set your Winlink operating frequency on Band B. You can carry on a voice conversation on Band A on 70 cm while running Winlink on Band B on a 2m channel. With this arrangement, the two bands function as two independent single-band radios.

TM-D710GA menu settings

Menu Group	Item	Value
Audio	002	Mode 1
AUX2	918	B-BAND
	919	9600

Laptop Setup

We are currently operating in the BYOL (bring your own laptop) mode. Winlink Express is the only Winlink client that takes full advantage of the emcomm features offered by Winlink. Unfortunately, it is only available for the Windows operating system, which makes a Windows PC a virtual requirement for using Winlink.

You will need to download and install the latest version of the Winlink Express program on your laptop. Here's where to get it.

<https://winlink.org/WinlinkExpress>

While you are there, set up a user account at Winlink.org. Be sure to create a password and record it in a safe place. The software is under active development, with frequent upgrades, so please run the Winlink program frequently to keep it up to date.

You will also need the Vara FM application, available here:

<https://rosmodem.wordpress.com/>

and the Soundmodem application, available here:

<http://uz7.ho.ua/packetradio.htm>

While on the UZ7HO website, also download the **ptt-dll.zip** file and the latest documentation. Unlike the Windows Express download, which is a typical Windows installation file, the Soundmodem application does not need to be 'installed.' Simply unzip and copy the **Soundmodem.exe** file into a folder on your hard drive. We recommend that you save it in **C:\UZ7HO**. Also unzip and save the program documentation and the **ptt.dll** file in the same folder. The latter is required for use with some soundcard interfaces.

The detailed configuration of these software applications is installation-specific, and MCACS offers Winlink training that should help to get you going. But if you have the applications pre-loaded on your laptop, you will be ahead of the game.

Winlink Express Operation

Guides to using Winlink Express can be found on the Internet. So, I'll just share a few helpful tips here that are specific to our installation. This is not a comprehensive guide to setting up Winlink, but we hope that we have provided enough detail here to serve as a refresher once you have obtained Winlink training.

The first time you run Winlink Express, you will have to configure some settings. Start the program and choose **Settings...Winlink Express Setup** from the menu. Enter your callsign (with no suffix) and the password you created when you registered at Winlink.org.

Auxiliary Callsigns and Tactical Addresses. MCACS will use Tactical Addresses for hospital operations. Tactical addresses are created from the RMS Express Setup screen. In the tactical address box, click “Add entry.” Type in your hospital’s tactical address. Everyone needs to use the same password – “MCACSMD”. Don’t substitute a different password. The addresses we are using are:

Tactical Address	Entity
MDMONTEOC	Montgomery County EOC
MDMONTHC-GMTN	Holy Cross Germantown Hospital
MDMONTHCH-SS	Holy Cross Hospital (Silver Spring)
MDMONTMMMC	Medstar Montgomery Medical Center (Olney)
MDMONTNIHRAC	NIH Radio Amateur Club Station (Bethesda)
MDMONTMCACSVAN	MCACS Comm Van
MDMONTEC	Montgomery County Emergency Coordinator
	OTHER USEFUL TACTICAL ADDRESSES
MDCSM	ARRL Maryland-DC Section Manager
MDCSEC	ARRL Maryland-DC Section Emergency Coordinator

While it is optional, I recommend filling in your contact information and hospital’s grid square. The grid square for Holy Cross Silver Spring (HCH) is FM19LA. Latitude/longitude coordinates are 39.0151, -77.0357. That information is required on some of the Winlink templates.

The corresponding information for Holy Cross Germantown Hospital (HCG) is FM19JE, 39.1818, -77.2412. Medstar Montgomery Medical Center (MSM) is FM19LD, 39.1541, -77.0553. If you have Internet access, Winlink Express will use your grid square to provide a list of local gateway stations.

Leave the Service Code as PUBLIC. (I’m not aware of any EMCOMM gateways operating in the local area.) Save and close the setup window.

Now, you are ready to tell Winlink Express what TNC you are using. Using the **Open Session:** dropdown in the menu bar, select the session type as **PACKET Winlink** then click on **Open Session**. This brings up a new session window. Click on **Settings**.

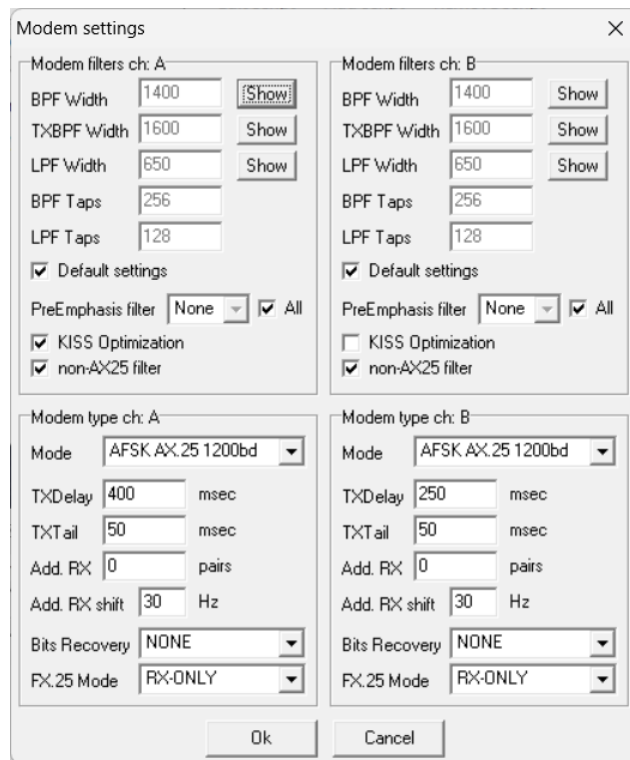
For the **Packet TNC Type**, choose **KISS**. Under **Serial Port:** select **TCP**. Leave the **TCP Host/Port** at the default (127.0.0.1/8100). Select **Disabled** under **AutoConnect Time**. The other parameters can be left at default. Check “Automatically launch packet sound modem” and browse to the folder where you installed Soundmodem (usually **C:\UZ7HO\soundmodem.exe**).

When you click on the Update button, the program will attempt to initialize the TNC. If successful, you will see a “**Ready**” message. Otherwise, you’ll have to do some troubleshooting.

Now shift your attention to the Soundmodem window. (It may be minimized, so look for it on the Taskbar.) Open the menu item **Settings → Devices**. Select your soundcard interface device from the input and output device dropdowns. Check to enable the KISS Server Port. The port number should match what you entered in the Winlink Express configuration. If using a Signalink, the PTT Port should be set to **NONE**, as the Signalink uses VOX to key the transmitter.

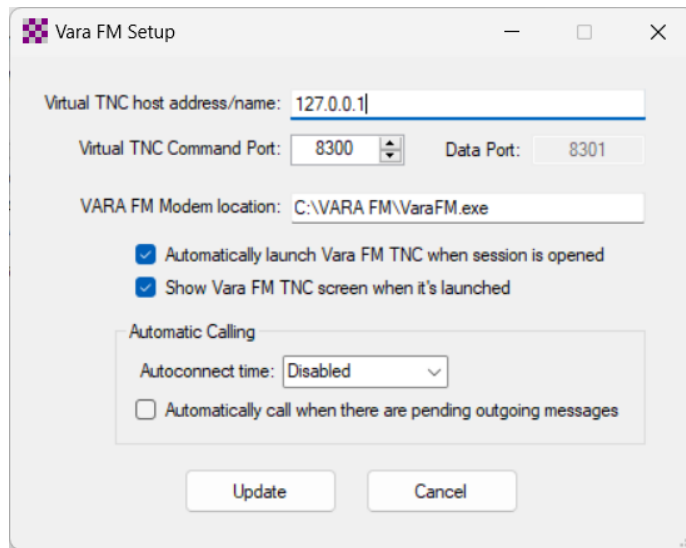
Here, you might want to make a side trip to the Windows Sound Control panel and make sure your soundcard interface is **NOT** the default audio device for playback. You don’t want Windows’ beeps and boops to be transmitted over the air.

Next, visit the **Settings → Modem** menu item in Soundmodem. All the defaults should work here, except you’ll want to check Kiss Optimization if it isn’t already checked. When using the TM-D710, the TXDelay parameter can be reduced to 250 ms.

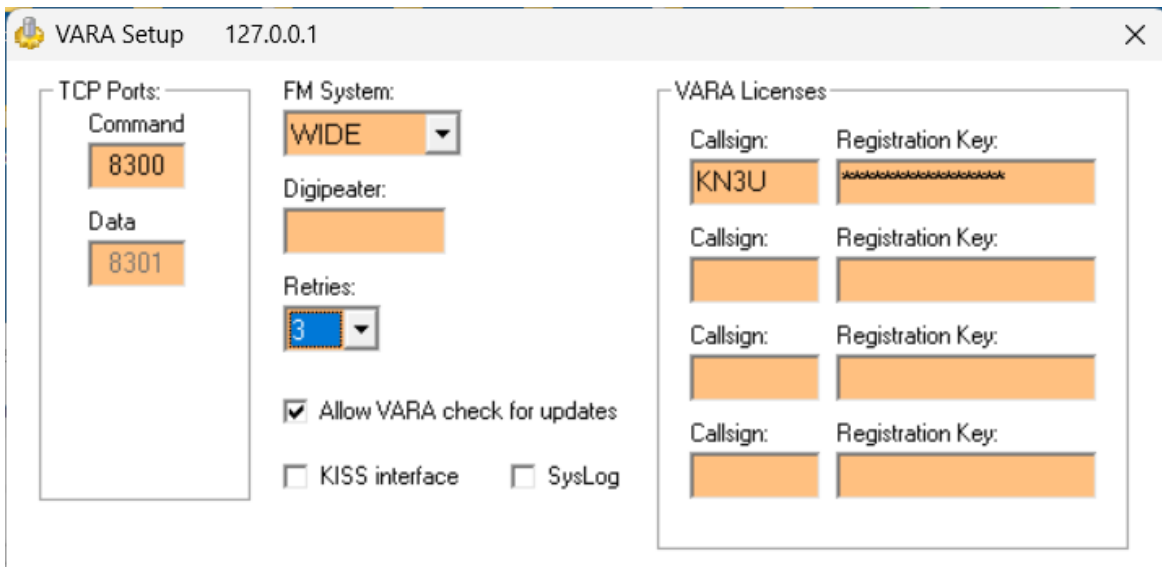


Finally, you’ll need to adjust the transmit and receive audio levels, using either the Windows Sound Control Panel or the knobs on the Signalink. In the Soundmodem window, you can use the **Calibration** menu item to key the transmitter with either the low or high FSK tone, or both.

To use Vara, you need to go through a similar configuration procedure. Close the Winlink Packet session and open a Vara FM Winlink session. You’ll first open the VARA TNC Settings in the Winlink session window. The settings shown below are typical.



Next, choose **Vara Setup...** in the Vara FM application window. (If you don't see it, look for it on the TaskBar.) All the radios at our Montgomery county hospitals are equipped for Vara Wide (high-speed) operation, so assuming you have purchased the Vara license, select that mode after entering your call sign and registration code. If you don't have a Vara license, you will have to select the Vara Narrow mode. It is still faster than AX.25 packet and will provide access to Vara RMS Gateway stations.



Again, you'll have to go the VARA FM SoundCard settings and select your soundcard interface device from the dropdown list. And you'll have to set your transmit and receive audio levels. Assuming that you have already set your levels correctly for UZ7HO Soundmodem, you should not need to adjust the knobs on the Signalink or change the Windows Sound Control Panel settings. Any adjustments you make to the slider in the VARA FM SoundCard window will not

affect the levels you have already set for Soundmodem. Your best bet is to use the Vara FM Autotune feature.

Now, you are ready to make a connection. In the Winlink Express session window, the connection type should be "Direct" (in other words, we are not using digipeaters to reach the gateway since these gateways are within simplex range of the hospital). Type the callsign into the connection box, and click **Start**. (Alternately, click **Channel Selection** which will open a window listing the closest nodes based on the grid square information you entered above. Double click a channel or click on one and click **Select Channel** at the top of the window. Don't forget to enter the correct frequency into the radio's B-Band.) Most mobile radios, including the TM-D710, are not designed for computer control.

After a few seconds, the radio should begin transmitting and establish a connection with the Gateway. You are off to the races!

You can also try these other gateway stations:

Call Sign	Frequency	Location
WM3M-10	145.090	White Flint neighborhood, North Bethesda
WA3YOO-9	145.750	Ashton, MD
W3LRC-10	145.750	Laurel, MD
W3PGC-10	145.750	Landover Hills, MD
W3AAC-10	145.010	Millersville, MD (AA Co)
N2LEE-10	145.730	Herndon, VA

In a pinch, you should be able to establish a packet peer-to-peer (P2P) connection with another local station to relay any critical message traffic. It is also possible to make a Winlink connection by digipeating through most the RMS Gateway stations listed above, or even establish a P2P connection over a conventional FM repeater. (You may need to increase the TxDelay setting to several hundred milliseconds when operating over a voice repeater.) In an emergency, when the MCACS station at the Montgomery County EOC is activated, you can contact WA3YOO to request assistance in relaying Winlink messages.

APPENDIX A MENU CONFIGURATION

MENU MODE

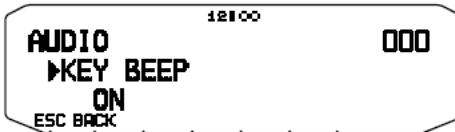
Many functions on this transceiver are selected or configured through the Menu instead of physical controls. Once you become familiar with the Menu system, you will appreciate the versatility it offers.

MENU ACCESS

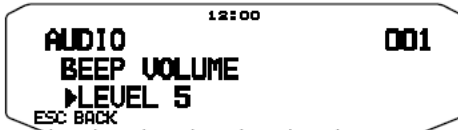
- 1 Press [F], **Tuning** control to access the Menu.
 - The setup category name appears on the display.



- 2 Rotate the **Tuning** control to select your desired setup category.
- 3 Press the **Tuning** control to set the selected category.
 - The Menu name and number appear on the display.



- 4 Rotate the **Tuning** control to select your desired Menu.
- 5 Press the **Tuning** control to set the selected Menu.



- 6 Rotate the **Tuning** control to select your desired value for the selected Menu.
- 7 Press the **Tuning** control to set the selected value.
- 8 Repeat steps 2 to 7 to set up additional Menus.
 - Press [ESC] at any time to exit Menu mode.
 - Press [BACK] at any time to cancel the Menu setup and return to the Menu selection.

AUDIO				
Menu No.	Display	Description	Setting Values	Default Setting
000	KEY BEEP	Beep sound	OFF/ ON	ON
001	BEEP VOLUME	Beep volume level	LEVEL 1 ~ LEVEL 7	LEVEL 5
002	EXT.SPEAKER	External speaker output mode	MODE 1/ MODE 2	MODE 1
003 ¹	ANNOUNCE	Voice announcement mode	OFF/ AUTO/ MANUAL	AUTO
004 ¹	ANNOUNCE LANGUAGE	Voice announcement language	ENGLISH/ JAPANESE	ENGLISH
005 ¹	ANNOUNCE VOLUME	Voice announcement volume	LEVEL 1 ~ LEVEL 7	LEVEL 5
006 ¹	ANNOUNCE SPEED	Voice announcement speed	SPEED 0 ~ SPEED 4	SPEED 1
007 ¹	PLAYBACK REPEAT	Recording playback repeat	OFF/ ON	OFF
008 ¹	PLAYBACK INTERVAL	Playback repeat interval time	0 ~ 60 s	10 s
009 ¹	CONTINUOUS RECORDING	Continuous Recording	OFF/ ON	OFF

TX/RX				
Menu No.	Display	Description	Setting Values	Default Setting
100	PROGRAMMABLE VFO	Programmable VFO setup	Varies with the selected frequency band	–
101	STEP	Step frequency	Varies with the selected frequency band	–
102	MODULATION	Modulation/demodulation mode	Varies with the selected frequency band	–
103	VHF AIP	VHF band AIP	OFF/ ON	OFF
104	UHF AIP	UHF band AIP	OFF/ ON	OFF
105	S-METER SQUELCH	S-meter squelch	OFF/ ON	OFF
106	S-METER SQL HANGUP TIME	S-meter squelch hang up time	OFF/ 125/ 250/ 500 ms	OFF
107	MUTE HANGUP TIME	Mute hang up time setup	OFF/ 125/ 250/ 500/ 750/ 1000 ms	OFF
108	BEAT SHIFT	Beat shift	OFF/ ON	OFF

TX/RX				
Menu No.	Display	Description	Setting Values	Default Setting
109	TOT	Time-out timer	3/ 5/ 10 min	10 min
110	MICROPHONE SENSITIVITY	Microphone Sensitivity	HIGH/ MEDIUM/ LOW	HIGH (TM-D710GE) MEDIUM (TM-D710GA)
111 ²	WEATHER ALERT	Weather alert	OFF/ ON	OFF
112 ²	AUTO WEATHER SCAN	Auto weather channel scan time	OFF/ 15/ 30 / 60 min	OFF

MEMORY				
Menu No.	Display	Description	Setting Values	Default Setting
200	MEMORY NAME	Memory name setup	Up to 8 characters	–
201	RECALL METHOD	Memory channel recall method	ALL BANDS/ CURRENT	ALL BANDS
202	LOCKOUT	Memory channel lockout	OFF/ ON	OFF
203	GROUP LINK	Memory group link registration	Up to 10 digits (0 ~ 9)	–
204	EchoLink MEMORY	EchoLink memory setting	Up to 8 characters for EchoLink memory name Up to 8 digits for DTMF code	–
205	EchoLink SPEED	EchoLink memory transmission speed	FAST/ SLOW	FAST

DTMF				
Menu No.	Display	Description	Setting Values	Default Setting
300	DTMF HOLD	DTMF transmission hold	OFF/ ON	OFF
301	DTMF MEMORY	DTMF memory	Up to 8 characters for DTMF memory name Up to 16 digits for DTMF code	–
302	DTMF SPEED	DTMF memory transmission speed	FAST/ SLOW	FAST
303	DTMF PAUSE	DTMF pause code time	100/ 250/ 500/ 750/ 1000/ 1500/ 2000 ms	500 ms
304	DTMF KEY LOCK	DTMF key lock	OFF/ ON	OFF

REPEATER				
Menu No.	Display	Description	Setting Values	Default Setting
400	OFFSET FREQUENCY	Offset frequency	See explanation	–
401	AUTO REPEATER OFFSET	Auto Repeater Offset	OFF/ ON	ON
402	1750 TX HOLD	Transmission hold when transmitting a 1750 Hz tone	OFF/ ON	OFF
403 ²	REPEATER MODE	Repeater mode	CROSS BAND/ LOCKED TX:A-BAND/ LOCKED TX:B- BAND	CROSS BAND
404 ²	REPEATER TX HOLD	Repeater transmission hold	ON/ OFF	OFF
405 ²	REPEATER ID	Repeater ID registration	Up to 12 characters	–
406 ²	REPEATER ID TX	Repeater ID transmission	OFF/ MORSE/ VOICE	OFF

AUX 2				
Menu No.	Display	Description	Setting Values	Default Setting
900	POWER ON MESSAGE	Power on message setup	Up to 8 characters	HELLO !!
901	BRIGHTNESS	Display brightness	OFF/ LEVEL 1 ~ LEVEL 8	LEVEL 8
902	AUTO BRIGHTNESS	Display auto brightness	OFF/ ON	OFF
903	BACKLIGHT COLOR	Backlight color	AMBER/ GREEN	AMBER
904	CONTRAST	Display contrast	LEVEL 1 ~ LEVEL 16	LEVEL 8
905	DISPLAY REVERSE MODE	Display reverse mode	POSITIVE/ NEGATIVE	POSITIVE
906	PANEL PF1	PF1 key programmable function value	See explanation	WX CH (TM-D710GA) FRQ.BAND (TM-D710GE)
907	PANEL PF2	PF2 key programmable function value	See explanation	CTRL
908	MIC PF1(PF)	Microphone PF1 key programmable function value	See explanation	A/B
909	MIC PF2(MR)	Microphone PF2 key programmable function value	See explanation	MR
910	MIC PF3(VFO)	Microphone PF3 key programmable function value	See explanation	VFO
911	MIC PF4(CALL)	Microphone PF4 key programmable function value	See explanation	CALL (TM-D710GA) 1750 (TM-D710GE)
912	MIC KEY LOCK	Microphone key lock	OFF/ ON	OFF
913	SCAN RESUME	Scan resume method	TIME/ CARRIER/ SEEK	TIME
914	SCAN TIME RESTART	Time operate restart time	1 ~ 10 sec	5 sec
915	SCAN CARRIER RESTART	Carrier operate restart time	1 ~ 10 sec	2 sec
916	VISUAL SCAN	Number of Channels for Visual Scan	MODE 1 : 31ch/ MODE 2 : 61ch/ MODE 3 : 91ch/ MODE 4 : 181ch	MODE 2 : 61ch

AUX 2				
Menu No.	Display	Description	Setting Values	Default Setting
917	AP0	Auto Power Off time	OFF/ 30/ 60/ 90/ 120/ 180 min	OFF
918	EXT. DATA BAND	External TNC data band type	A-BAND/ B-BAND/ TX:A-BAND RX:B-BAND/ RX:A-BAND TX:B-BAND	B-BAND
919	EXT. DATA SPEED	External TNC data communications speed	1200/ 9600 bps	1200 bps
920	PC PORT BAUDRATE	PC terminal baud rate speed	9600/ 19200/ 38400/ 57600 bps	9600 bps
921	SQC SOURCE	SQC output type	OFF/ BUSY/ SQL/ TX/ BUSY or TX/ SQL or TX	BUSY or TX
922	AUTO PM STORE	Automatic PM entry	OFF/ ON	ON
923 ²	REMOTE ID	Personal Identification Number	000 ~ 999	000
924 ²	REMOTE ANSWER BACK	Answer back	OFF/ ON	ON
925	DATE	Date	See explanation	–
926	TIME	Clock time	See explanation	–
927	TIME ZONE	Time zone	UTC + 14:00 ~ UTC – 14:00	UTC
928	DISPLAY PARTITION BAR	Display partition bar	OFF/ ON	ON
929	COM PORT BAUDRATE	COM terminal baud rate speed	9600/ 19200/ 38400/ 57600 bps	9600 bps
930	INT. DATA BAND (PACKET)	Internal TNC data band (PACKET)	A-BAND/ B-BAND/ TX:A-BAND RX:B-BAND/ RX:A-BAND TX:B-BAND	A-BAND
998	POWER ON PASSWORD	Power on password	OFF/ ON	OFF
999	RESET	Reset	VFO RESET/ PARTIAL RESET/ PM RESET/ FULL RESET	VFO RESET

A FINAL NOTE

The TM-D710 has five different programmable “personalities.” I once got into a situation where every time I turned off the radio, when I turned it back on, it had “forgotten” what frequencies I was using and a whole lot of other settings as well. I finally realized that I had inadvertently switched the radio from the “normal” personality to an alternate setting. To correct the problem, I needed to press the PM button on the front of the radio, then press the “off” button. That restored the radio to normal operation.